

# ELECTRONIC TRAP PRIMER

## 695 SERIES

### SPECIFICATION

Sioux Chief ETP™ electronic trap primers shall be used where replenishment of water in floor drain traps is required to prevent escape of sewer gas. Trap primer shall be listed and certified to ASSE 1044 and equipped with solenoid actuating device, vacuum breaker, distribution manifold, and proper electrical hardware. Water release is factory-set for daily release of 2 ounces. Frequency and duration of activation shall be adjustable. Trap primer shall be equipped with an ASSE 1010 arrester to protect the solenoid device. Trap primer shall be mounted in steel access boxes.

### INSTALLATION

The number of traps serviced by any trap primer is a function of activation frequency and evaporation rate and should be determined by the design engineer and/or the installing contractor.

### MATERIALS

**Box housing:** Galvanized steel, 16 gauge  
**Arrester:** Stainless steel, EPDM o-ring, plastic piston, Dow 111 lubricant  
**Distribution manifold:** Type L copper tube  
**Outlet connection:** Brass  
**Solenoid:** Plastic housing, brass components  
**Vacuum breaker:** Brass

### ELECTRICAL

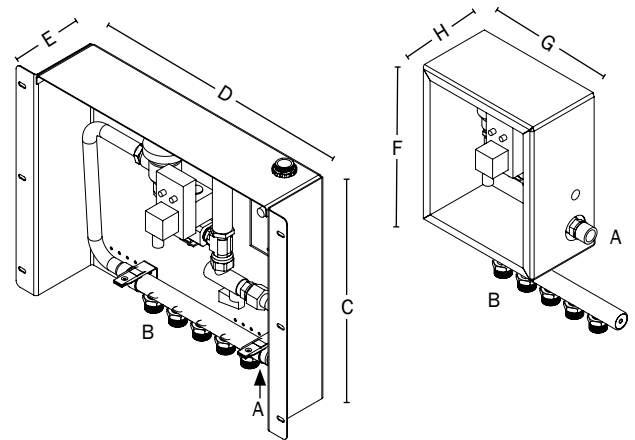
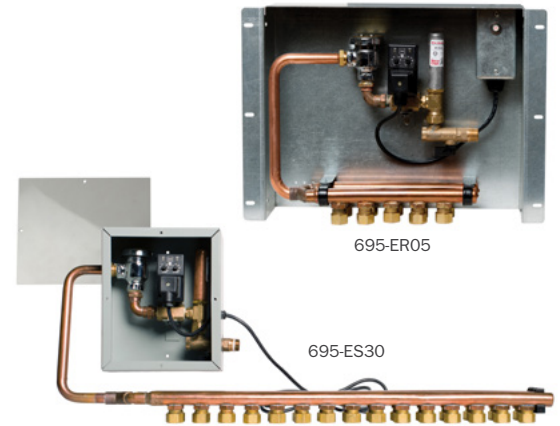
Connect unit to 120 VAC supply. Power consumption is 9.2 watts at 60 Hz. Maximum feet to electrical supply: 300 Ft. Minimum wire gauge: 18 ga. 3 amp circuit breaker included

### DIMENSIONS

- A:** Inlet connection 1/2" female sweat  
**B:** Outlet connections 5/8" OD compression\*  
**Recessed Box Models**  
**C:** Box height 12"  
**D:** Box width 14.5" or 30.5"  
**E:** Box depth 3.375"  
**Surface Mount Box Models**  
**F:** Box height 8-1/2"  
**G:** Box width 7"  
**H:** Box depth 4"

\* Do NOT use thread sealant compounds on compression threads

ITEM # SUBMITTED	_____
JOB NAME	_____
LOCATION	_____
ENGINEER	_____
CONTRACTOR	_____
PO#	_____ TAG _____



## Create Item Number

### 695-AB

e.g. **695-ER15:** Electronic trap primer with 15 outlets (single manifold) in 12" x 30.5" recessed box

#### BOX TYPE **A**

- ER** = Recessed  
**ES** = Surface mount

#### OUTLETS / MANIFOLD **C**

- 05** = 5 outlets / single manifold<sup>3</sup>  
**10** = 10 outlets / single manifold<sup>1</sup>  
**10** = 10 outlets / double manifold<sup>2, 3</sup>  
**15** = 15 outlets / single manifold<sup>4</sup>  
**20** = 20 outlets / double manifold<sup>4</sup>  
**30** = 30 outlets / double manifold<sup>4</sup>

#### Accessories - Available Separately:

- 971-1414: 14 x 14 Hinged metal access door  
 971-1430: 14 x 30 Hinged metal access door

1 ONLY available for surface mount box | 2 ONLY available for recessed box | 3 Recessed box size is 12" x 14.5" | 4 Recessed box size is 12" x 30.5"